

OUTDOOR NETWORK DOME CAMERA



Made In Japan

MASAMITSU
SECURITY TECHNOLOGY OF JAPAN

5.0 / 3.0 Mega-Pixel
H.265 Support

ONVIF | **S**

Ver. 2.4 Compliant



MSIPV4-80VS-Px MSIPV4-80JS-Px

- Built with **Ray Gold Board**
- 1/2.7" 5.0 Mega CMOS Sensor (MSIPV4-20VS-Px)
- 1/2.7" 3.0 Mega CMOS Sensor (MSIPV4-20JS-Px)
- 2.8~12 mm Motorized Vari-Focal lens
- True Day/Night with ICR
- Back Light Compensation
- Digital WDR ,Privacy Mask ,Sens-Up
- Smart Motion Detection

- High contrast image at night with customized optical components
- SMT IR LED Max. 30~35 meters true Night Vision Distance
- Ultra clear image at night without dark corner
- IEEE 802.3AF Class 2 PoE or 12VDC

MSIPV4-20VS-Px (5.0 Mega) / MSIPV4-20JS-Px (3.0 Mega)

OUTDOOR NETWORK DOME CAMERA



Made In Japan

MASAMITSU
SECURITY TECHNOLOGY OF JAPAN



Product may vary in appearance and specifications.

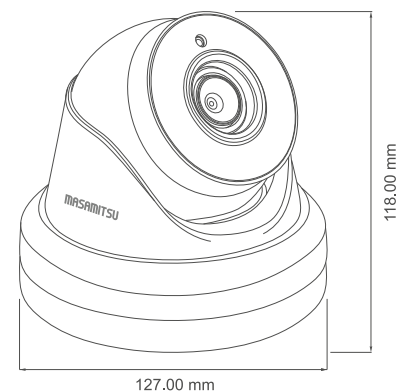
- 1/2.7" 5.0 Mega CMOS Sensor (MSIPV4-20VS-Px)
- 1/2.7" 3.0 Mega CMOS Sensor (MSIPV4-20JS-Px)
- Image Resolution and FPS :
 - 15fps-2560x1960 (MSIPV4-80VS-Px)
 - 20fps- 2048x1536 (MSIPV4-80JS-Px)
 - 25fps-1920x1080 /1280x960 /1280x720
- Dual Stream: Support Main Stream and Sub-stream
- 2.8~12 mm Motorized Vari-Focal Lens
- True Day / Night with ICR on Sensor
- H.265,H.264,MJPEG Compression
- Support IE Operation and CMS Operation
- Support ONVIF Profile S Ver.2.4 or 3rd.Party NVR / HVR on Request
- IP66 OUT-DOOR Housing
- Protocol HTTP, PPPoE, UPNP, FTP, DDNS, VPN, RTSP, etc.
- Support D-WDR (Digital Wide Dynamic Range) / Auto Exposure / White Balance / Motion Detection / BLC / Image Setup / Day / Night/AGC, Privacy Mask, Tempers Detection Function, etc.
- Power Supply: 12V DC Input & PoE IEEE 802.3af Class 2
- Lowest Power Consumption
- Lowest Heat on Board for Long Life of Camera
- 30~35 meters true Visual Distance
- SMT IR LED Supreme Night Visibility & Uniform IR

TECHNICAL SPECIFICATIONS

Model Name	MSIPV4-20VS-Px (5.0 Mega)	MSIPV4-20JS-Px (3.0 Mega)
VIDEO PARAMETERS		
Imaging Device	1/2.7" 5.0 Mega CMOS Sensor	1/2.7" 3.0 Mega CMOS Sensor
Total Pixels	2,560(H)X1,960(V)	2,048(H)X1,536(V)
Scanning System	Progressive Scan Sensor	
Min. Illumination	Color: 0.1Lux@F1.2 (AGC OFF), B/W: 0.01Lux@F1.2 (AGC ON)	
S/N Ratio	More than 50 dB (AGC OFF)	
Video Compression Format	H.265, H.264, M-JPEG	
Video Quality Adjustment	H.265, H.264: Compression Level, Target Bit rate Level Control (CBR/VBR), M-JPEG: Quality Level Control	
Data Rate Control Method	Video Compression level of H.265, H.264, Video Frame rate, Bit rate CBR or VBR	
Dual Stream	Main Stream: 2560*1960/2592*1520 / 2048*1536/1920*1080 Sub Stream: 720*576/640*480/ 640*352/320*240	Main Stream: 2048*1536/1920*1080/ 1280*720 Sub Stream: 720*576/640*480/ 640*352/320*240
Max. Frame rate	2560*1960@15fps; 2592*1520@25fps; 2048*1536@25fps	3.0 Mega@20fps 1080P@25/30fps; 960P@25/30fps; 720P@25/30fps
LENS PARAMETER		
Lens Type	2.8~12 mm Motorized Vari-Focal Lens	
OTHER FUNCTIONS		
WDR (Two Exposure)	N.A	
Digital Wide Dynamic Range	Support All Models	
Audio In	Optional	
Audio Out	Optional	
Alarm In	Optional	
WiFi or TF Card (Micro SD)	Optional	
Day&Night	Support All Models	
Digital Noise Reduction	3DNR	
Motion Detection	4 Area Selectable Support	
Privacy Masking	4 Area Selectable Support	
Gain Control	Max. AGC to 255	
White Balance	Auto White Balance (AWB)	
Electronic Shutter Speed	Auto/A.FLK/Manual	
Flip/Mirror	Support All Models	

IR PARAMETERS WITH SELECTION OF LENS	
True Wide 2.8~12 mm Lens	Split Beam Customized SMT IR LED
IR Distance & Lens	2.8~12 mm lens (30~35 mt.)
NETWORK PARAMETERS	
Ethernet	RJ45 for 10BASE-T/100BASE-TX PoE
Protocol	HTTP, PPPoE, UPNP, FTP, DDNS, VPN, RTSP etc.
ONVIF Conformance	Support ONVIF Profile S Ver.2.4
Central Management Software	Support
ENVIRONMENTAL PARAMETERS	
Operating Temperature/ Humidity	-10°C to +50°C, 0% to 90% (non-condensing)
Ingress Protection	Waterproof Housing (IP66)
ELECTRICAL PARAMETERS	
Power over Ethernet	Power over Ethernet IEEE 802.3af Class 2
Input Voltage/ Current	190mA/DC12V; 330mA/DC12V with IR LED ON
Power Consumption	Day:2.3W Night:3.96W
MECHANICAL PARAMETERS	
Color/ Material	Body: White Epoxy Spray Paint / Aluminum Dai Cast
Dimensions	127.0mm (Base Dia.) X 118.0mm (H)
Weight	Approx. 500g

DIMENSIONS



The above mentioned technical drawings are for reference only.



Masamitsu Technologies may, at any time and without notice, make changes or improvements to the products and services offered and/or cease producing or commercializing them. The Masamitsu logo and trademark are properties of Masamitsu Technologies.

Authorised Dealer / Representative.